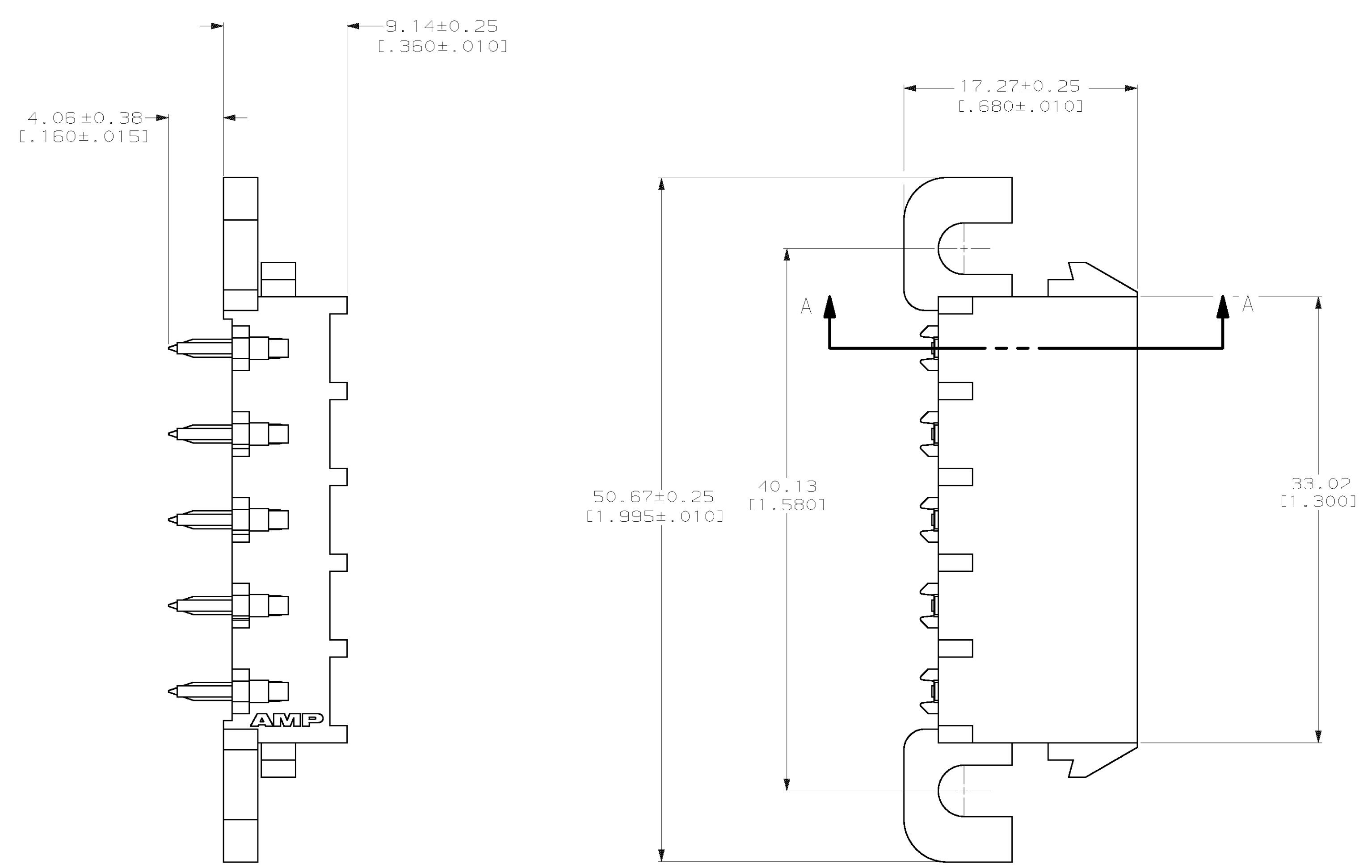
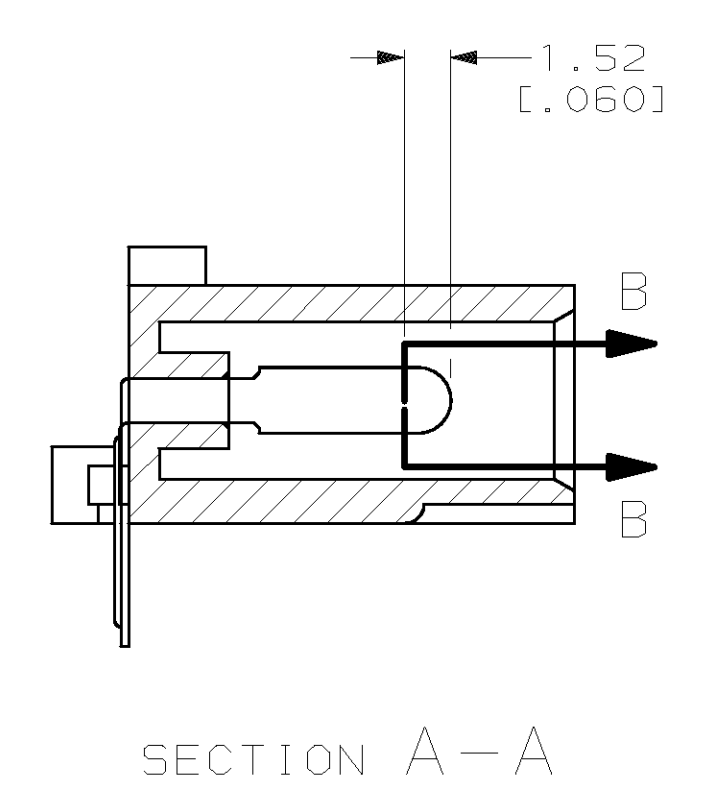
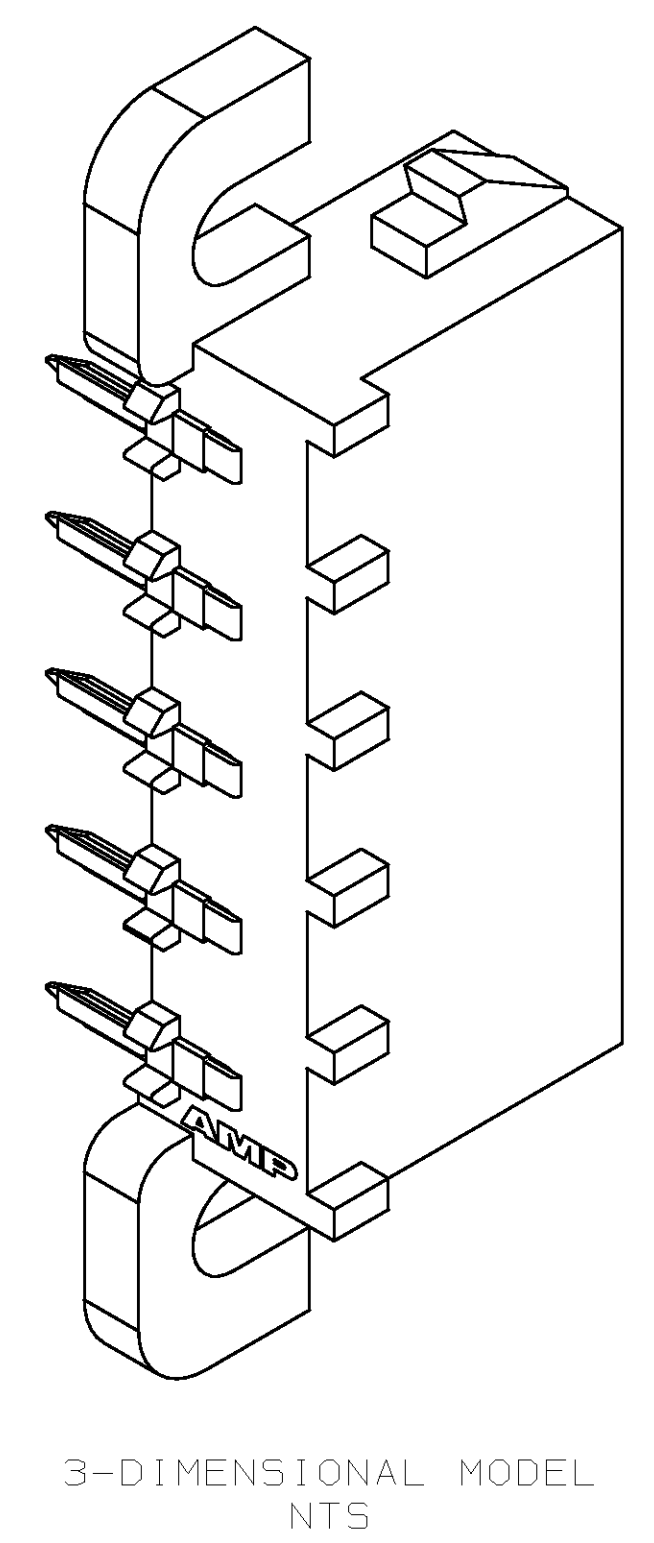
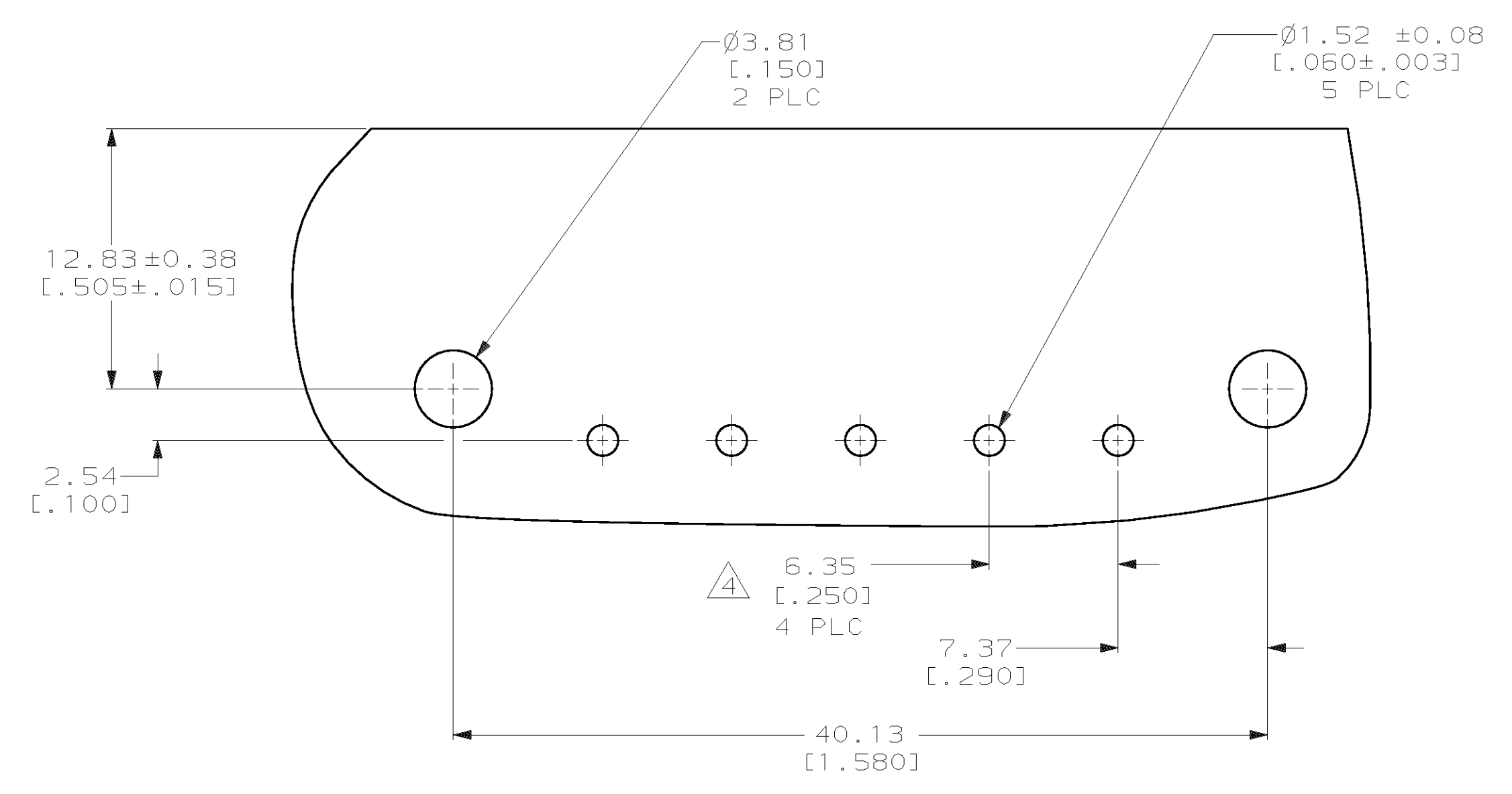
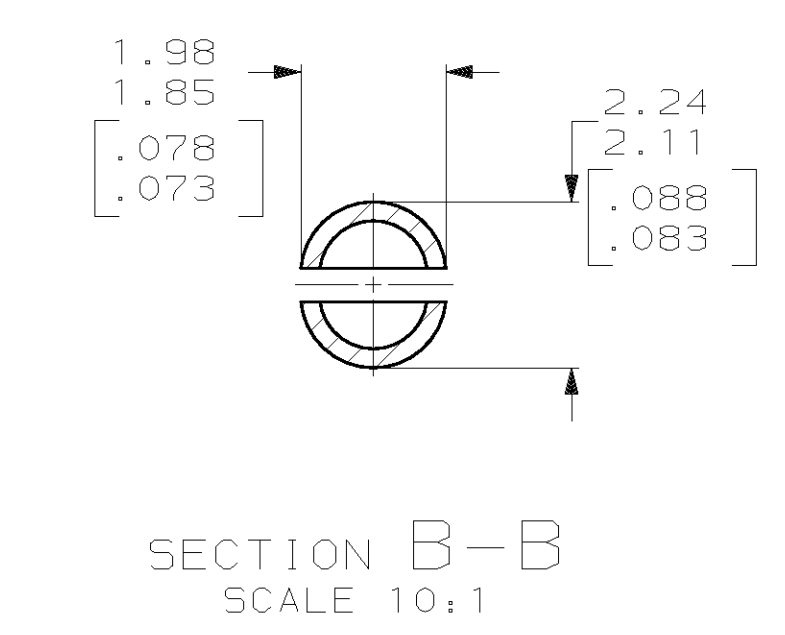
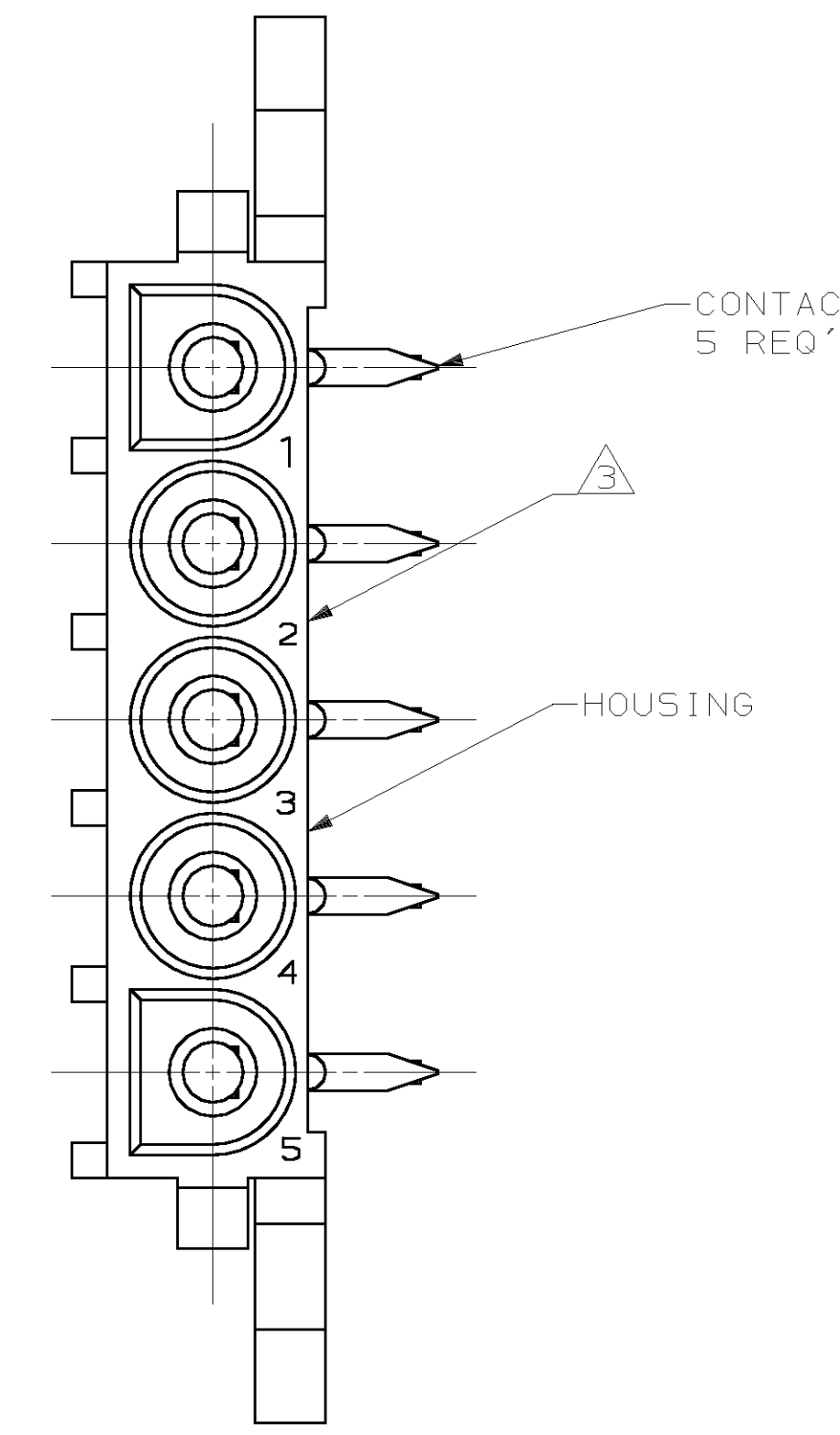


LOC		DIST		P		F		ZONE		LTR		REVISIONS		DATE	APPD	
CM	53												N	REV PER EC 061B-0127-98	6-22-98	BL R5



- PARTS COMPLY WITH AMP SOLDERABILITY SPECIFICATION 109-11-5.
- DIMENSIONS IN BRACKETS ARE IN INCHES.
- CIRCUIT IDENTIFICATION CHARACTERS ARE ADJACENT TO THE INDICATED CAVITIES, BUT LOCATION AND ORIENTATION MAY DIFFER FROM PRINT
- TOLERANCE NON-CUMULATIVE.



METRIC

THIS DRAWING IS A CONTROLLED DOCUMENT FOR AMP INCORPORATED. IT IS SUBJECT TO CHANGE AND THE CONTROLLING ENGINEERING ORGANIZATION SHOULD BE CONTACTED FOR THE LATEST REVISION.

		PHOS BRONZE, PRE-TIN	NYLON, UL94V-0	1-350949-0
		CONTACT	HOUSING	PART NO
DO NOT SCALE PRINT. UNLESS SPECIFIED DIMENSIONS IN mm [INCHES]	DR 3-25-94 K. SALMON	AMP Incorporated Harrisburg, PA 17105-3608		
TOLERANCES ON:	CHK 3-25-94 R. SWING			
2 PLC DEC ± 0.13 [.005]	APPD 3-29-94 D. SELF	NAME PIN HEADER ASSEMBLY, RIGHT ANGLE MOUNT, 5 POSITION, UNIVERSAL MATE-N-LOK™		
3 PLC DEC ± -	APPD 3-29-94 D. SELF	SIZE D 00779 C-350949		
ANGLES ± 0°30'	PRODUCT SPEC -	DRAWING NO C-350949		
MATERIAL	APPLICATION SPEC -	SCALE 4:1		
SEE TABLE	WEIGHT -	SHEET 1 OF 1		